



Portable Extractor Products

1XP Series Pumps



Product Quality, Reliability and Support You Expect

www.catpumps.com

1XP — Raising the Bar on Quality

Cat Pumps set out to design the best extractor pump available

Customers asked for three things:

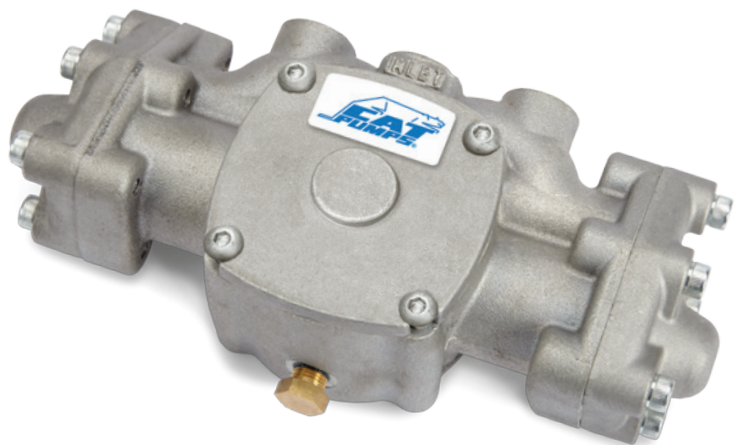
1. Build a pump that lasts longer than the competition
2. Make the pump easy to retrofit into existing equipment
3. Develop a design that will not leak and put contamination on the surface being cleaned

No detail was overlooked to make the 1XP the best choice for portable extractor applications. A patented greaseless design and 100% sealed wet-end means no maintenance and zero leaks. Solid ceramic plungers do not score and wear like stainless steel plungers — so pump life is increased by a factor of 10 or more in some cases.

Customers who have upgraded their extractors to the 1XP have reported smoother and quieter operation, faster and more consistent priming, and greatly increased pump life. Maybe this is a good time for you to consider the 1XP from Cat Pumps?

Pump

Flow :	0.5 – 2 gpm
Pressure range:	100 – 1000 psi
RPM:	1750 (60 Hz) 1450 (50 Hz)
Inlet Pressure Range:	Gravity to 40 psi
Maximum liquid temperature:	140° F
Inlet Port:	3/8" NPT(F)
Discharge Ports:	3/8" NPT(F)
Seals:	Fluorocarbon (FPM)
Manifold:	Plated Aluminum



AC (Induction) Motor

HP	1/3, 1/2, 3/4
Type	ODP
Volts	115/230
Hz	50/60
RPM	1450/1750
Phase	Single
Service Factor	1.0/1.35 (50/60)
Start	Capacitor
Recognized	CE, UL, and CSA

DC (Permanent Magnet) Motor

HP	1/3
Type	ODP
Volts	120 Rectified DC
RPM (at rated load)	1750
Service Factor	1

Patented water-lubricated technology

- Designed to fit extractor space and footprint
- Supported by Cat Pumps industry leading customer service
- Off-the-shelf delivery
- Highest quality control means long life and hours of trouble-free service



AC (Induction) Motor



DC (Permanent Magnet) Motor

1XP Features add up to long life and trouble-free service

1 Easily Primed

- Self-Priming – just turn it on
- Cat Pumps exclusive Super Flow Technology

2 Patented Greaseless Design

- Greaseless = no maintenance
- Greaseless = no grease stains
- 100% sealed wet end = no leakage

3 Solid Ceramic Plungers

- Improved seal life – ceramic does not score like stainless steel plungers
- Ceramic plungers do not require changing when replacing seals

4 Conveniently Located Ports

- Easy to assemble and maintain
- Improved Inlet conditions

5 Proven High-Pressure Seals

- Consistent quality
- Life measured in thousands of hours

6 Supported Crankshaft

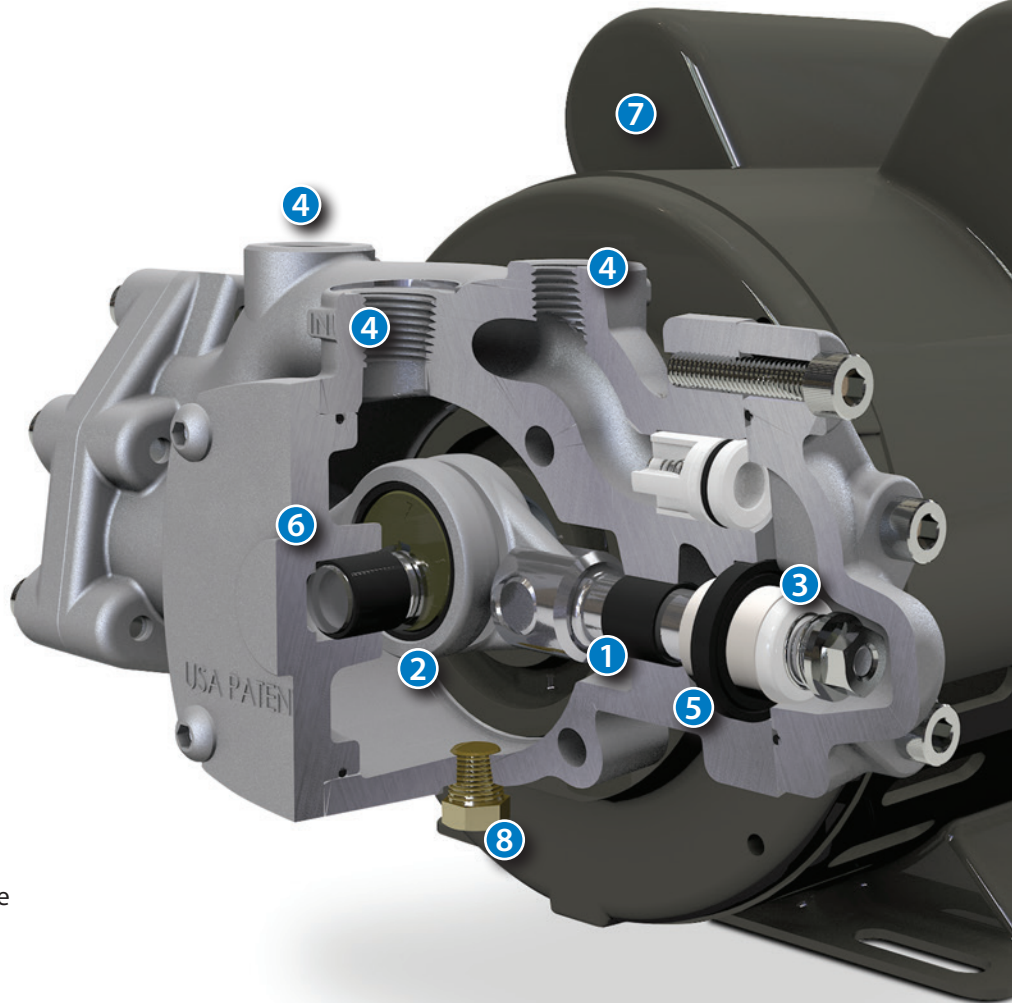
- Crankcase supports motor shaft with water lubricated bearing
- Reduces side load and extends seal life

7 Industrial Motors

- AC (Induction)
- DC (Permanent Magnet)

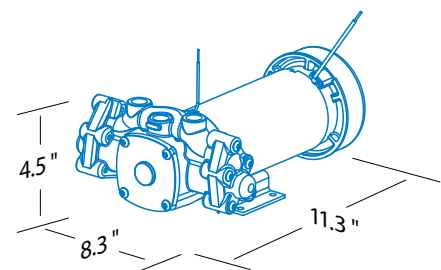
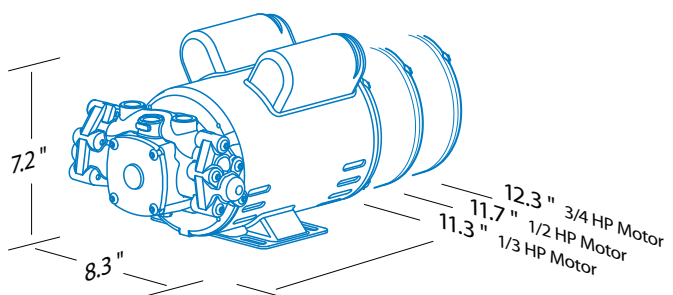
8 Easy to Drain

- Faster service
- Less mess



Compact Design

The 1XP Series Pumps are designed for high performance with a small footprint.



Selection Chart - AC (Induction Motor)

GPM	Max PSI	Amps (at max psi)	Pump Assembly	Motor HP
0.5	800	3.9	1XP050.031	1/3
0.75	600	4	1XP075.031	
0.85	600	4	1XP085.031	
1	500	4	1XP100.031	
1.25	400	3.6	1XP125.031	
1.5	325	3.9	1XP150.031	
2	250	3.7	1XP200.031	1/2
0.4	1000	6.3	1XP050.051	
0.7	1000	7.8	1XP075.051	
0.8	1000	7.5	1XP085.051	
0.9	800	7.4	1XP100.051	
1.2	800	7.6	1XP125.051	
1.5	600	7.3	1XP150.051	3/4
2	450	7.2	1XP200.051	
1.4	800	8.8	1XP150.071	
2	550	8.3	1XP200.071	

* Based on 60 Htz, 120 VAC

Selection Chart - DC (Permanent Magnet)

GPM	Max PSI	Amps (at max psi)	Pump Assembly	Motor HP
0.5	600	3.5	1XP050.03DC	1/3
0.75	500	3.5	1XP075.03DC	
0.85	400	3.6	1XP085.03DC	
1	350	3.6	1XP100.03DC	
1.25	300	3.6	1XP125.03DC	
1.5	250	3.7	1XP150.03DC	
2.3	150	3.6	1XP200.03DC	

* Based on 120 Volt Rectified Power

Cat Pumps is committed to producing the highest quality products and getting them to you fast, supported by off-the-shelf delivery and the best customer service possible. As always, we welcome your questions, suggestions and inquiries. When it needs to run, make it Cat Pumps.

Accessories and Kits



Pressure Regulators

7084C 100 - 600 psi
 7085C 205 - 2300 psi
 999254 Panel Mount Assembly
 Inlet Port 1/4" NPT(M)
 By-Pass Port 1/2" Hose Barb



Pressure Unloader

7582 100 - 1000 psi
 999195 Panel Mount Assembly
 Inlet/Discharge Ports 3/8" NPT(M)
 By-Pass Port 3/8" NPT(F)



Strainer

7203.3 1/2" NPT(M)
 7204.4 1/2" NPT(F)



Pressure Gauge

6091 Bottom Mount 1/4" NPT(M)
 6092 Rear Mount 1/4" NPT(M)



DC Motor Service Parts

76127 Brush Kit
 76242 Bridge Rectifier



Pump Service Parts

76227 Inlet Valve Kit
 76218 Discharge Valve Kit
 76219 Seal & O-Ring Kit
 76555 Plunger Rod Assy



CAT PUMPS

1681 - 94TH LANE N.E. MINNEAPOLIS, MN 55449-4324
 PHONE (763) 780-5440 — FAX (763) 780-2958
 e-mail: techsupport@catpumps.com
 www.catpumps.com